

## Resistive Linear Position Transducer



- Measuring range 10mm – 300mm
- Long mechanical life 100.000.000 cycles
- Excellent repeatability
- Very low temperature drift
- Infinite resolution

### Main Applications

Metal Forming Machines, Textile Machines, Packing Machines, Printing Machines, Marble/ Stone Machines and General Automation Applications

### Specifications

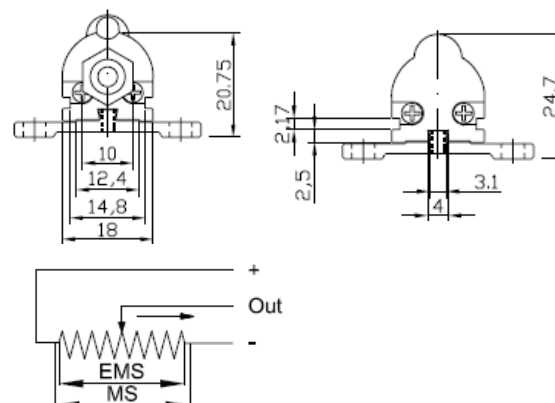
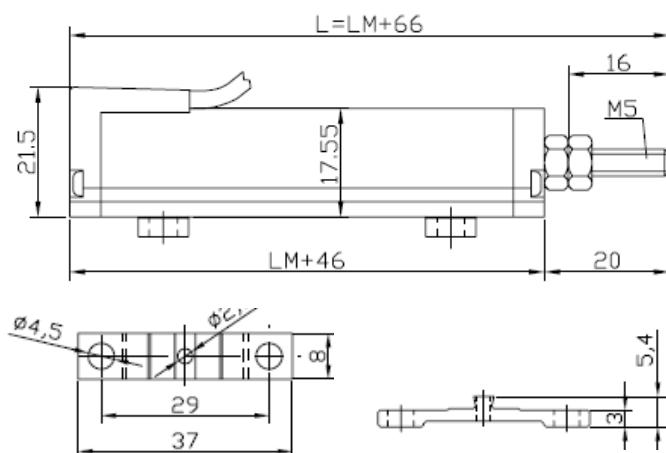
Mechanical stroke	10mm to 300mm
Linearity	± %0,05
Resolution	Infinite
Resistance output	5 Kohm or 10 Kohm
Resistance tolerance	± %20
Load resistance	Min. 100 Kohm
Repeatability	≤ %0.01
Mechanical life	100 * 10 <sup>6</sup> Cycles
Displacement speed	≤ 5 m/s
Permissible applied voltage	28 VDC max
Recommended cursor current	< 1 µA
Electrical connections	cabl (30cm)
Case dimensions	Ø 18mm
Case material	Anodized aluminium
Rod diameter	4mm
Rod material	Stainless steel
IP Degree	IP 65
Working temperature	- 20 / + 80 °C
Mechanical fixing	Variable brackets

### Dimensions

Model	LM	Mechanical stroke (MS)	Electrical measuring stroke (EMS)	Total lengt (L)
SLPT	10	12mm	10mm	76mm
SLPT	25	27mm	25mm	91mm
SLPT	50	52mm	50mm	116mm
SLPT	75	77mm	75mm	141mm
SLPT	100	102mm	100mm	166mm
SLPT	125	127mm	125mm	191mm
SLPT	150	152mm	150mm	216mm
SLPT	175	177mm	175mm	241mm
SLPT	200	202mm	200mm	266mm
SLPT	250	252mm	250mm	316mm
SLPT	300	302mm	300mm	366mm

### Ordering Procedure

SLPT Model	200 Measurement Stroke	D Linearity Class D: 0,05 %	5K Kohm Value 5K: 5 KΩ 10K: 10 KΩ
---------------	---------------------------	-----------------------------------	--



EMS= Electrical Measuring Stroke  
MS = Mechanical Stroke