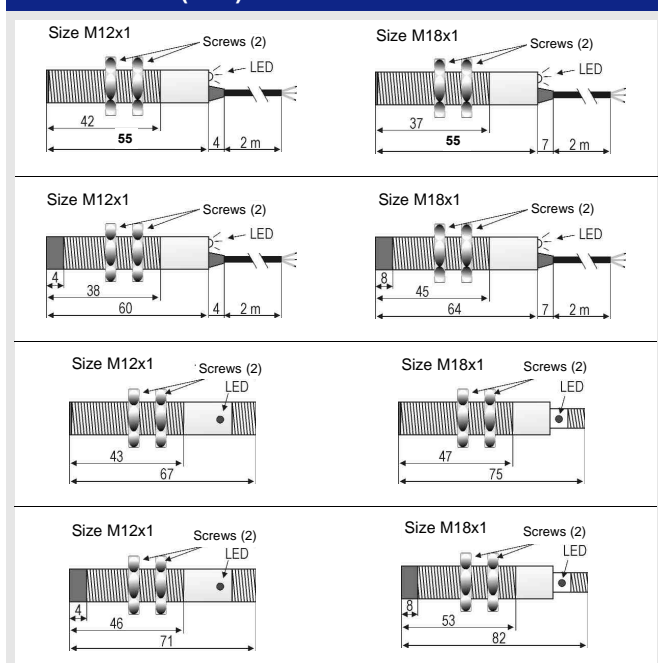


## FL Series

- Inductive sensor with 3 wire output (PNP or NPN)
- Cable or connector output models
- LED Function indicator
- Anti-interference
- Anti-shock protection
- Degree of protection IP-66



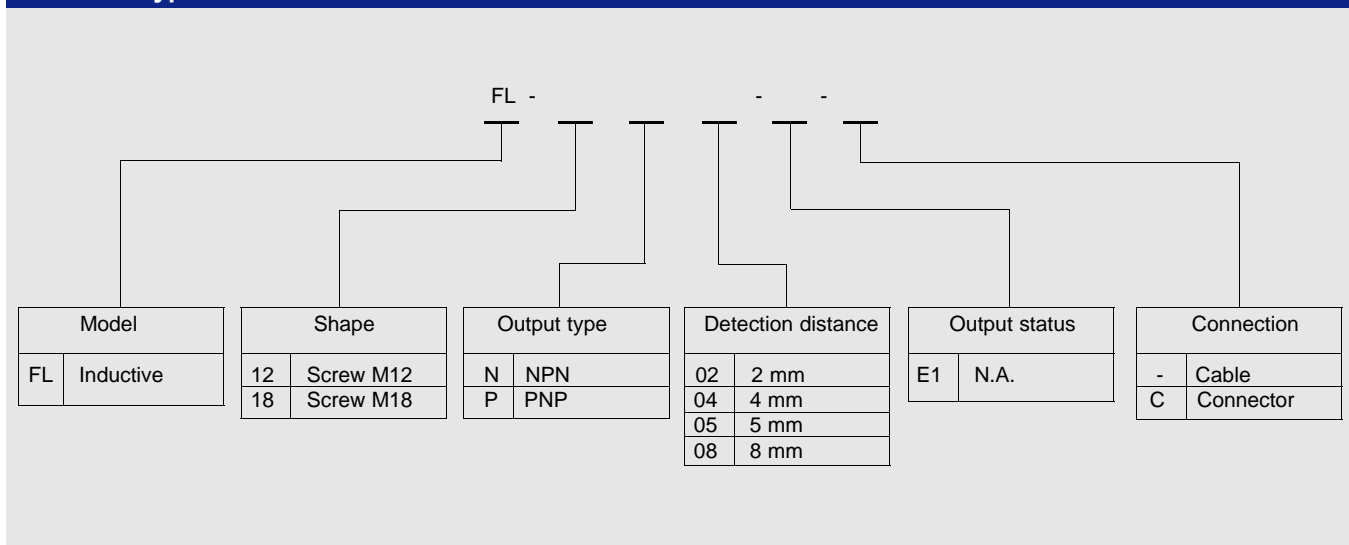
### Dimensions (mm)



### Technical specifications

Size	M12x1		M18x1	
	Detection distance (mm)	2	4	5
Response frequency	800 Hz		400 Hz	
Hysteresis	Less than 10% stipulate distance			
Power voltagen	10 to 30 Vdc			
Control output	200 mA (ohmic) / 100 mA (inductive)			
Residual voltage	2 V ( at 24 Vdc and 200 mA)			
Leakage current	0.5 mA ( at 24 Vdc)			
Ambient temperature	-10° C to +65°C			
Insulation resistance	≥100 MΩ (at 500 Vdc)			
Dielectric strength	1000 Vac, 1 minute (at 50/60Hz)			
Indication	red LED (NPN), green LED (PNP)			
Degree of protection IEC	IP-66			
Material	Case: Brass, Face: ABS			
Connector (reference C)	Male, 4 pin (M12x1), brass made			
Aerial connector	Female, 4 pin (3 wire cable: 2 m)			

### Available types

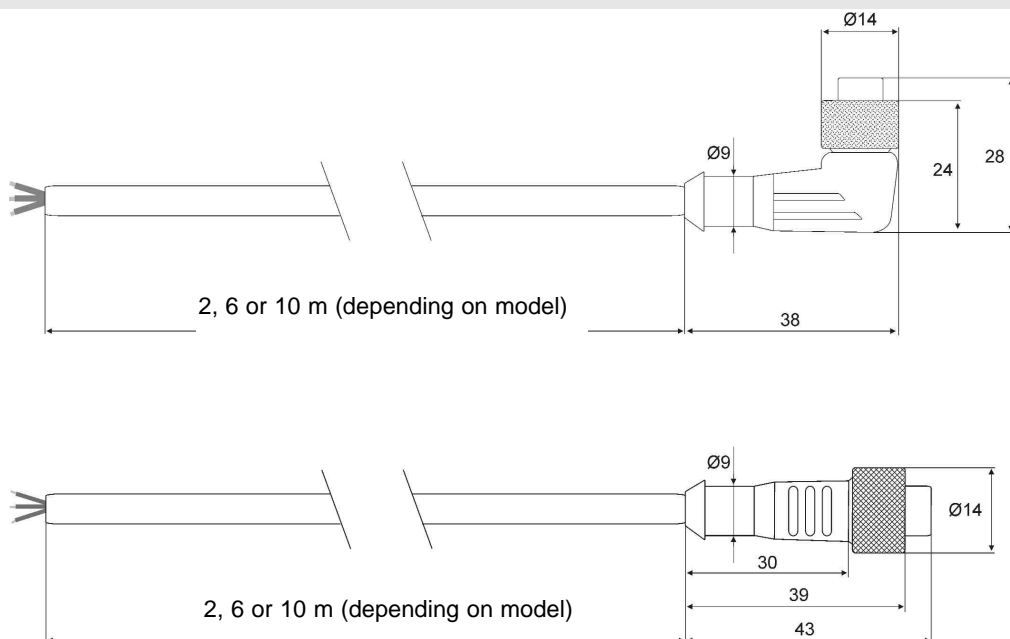


## Connectors for FL Series

- M12x1 aerial female connectors
- 4 pines
- Cable available in several lengths
- 3 wire connection (Blue, Brown and Black)
- Straight execution or with 90° angle
- Metallic screw



## Dimensions (mm)



## Available types

