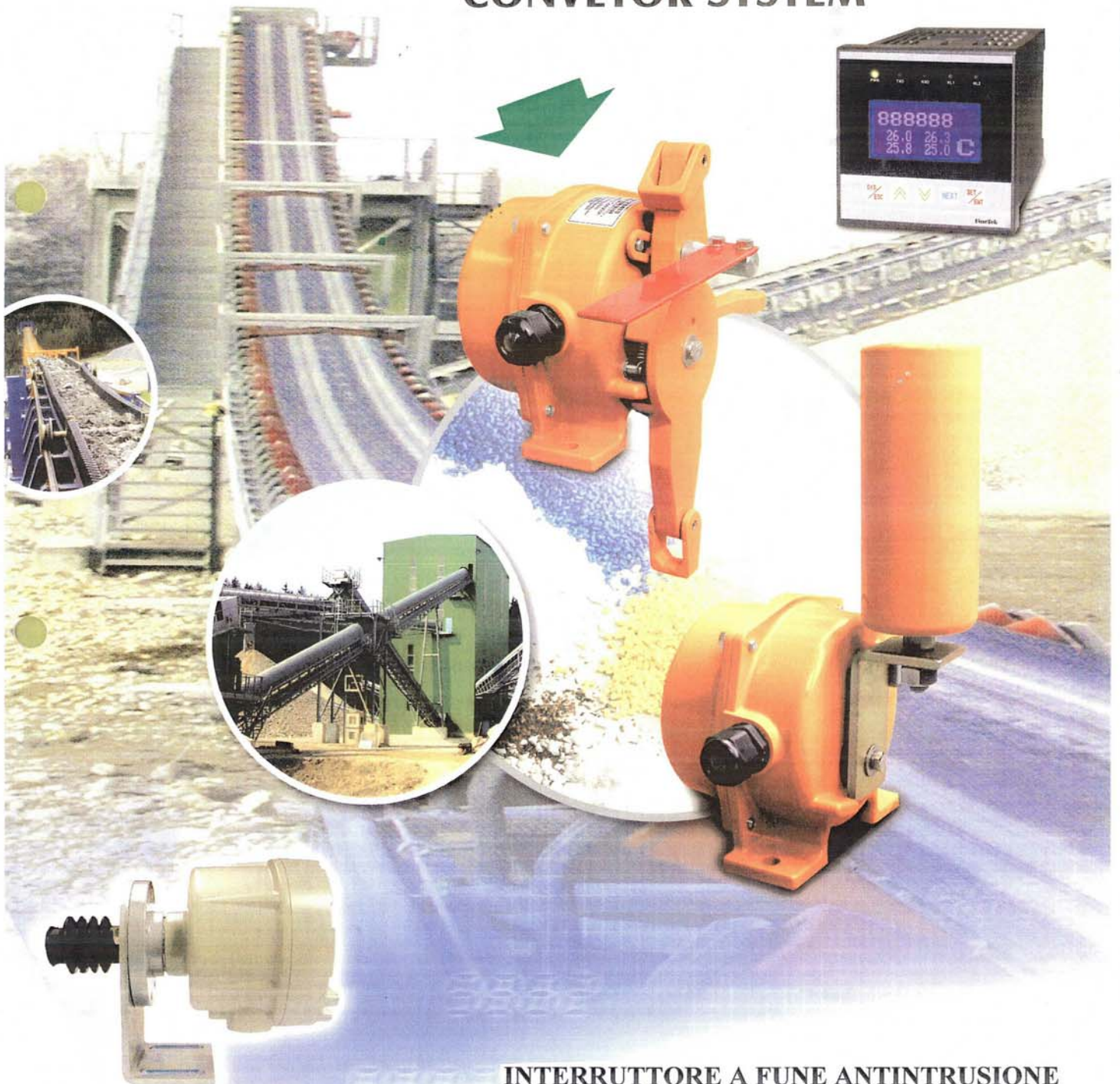




FineTek



MONITORING DEVICES FOR CONVEYOR SYSTEM



**INTERRUTTORE A FUNE ANTINTRUSIONE
PER NASTRI TRASPORTATORI - Modello SRS**

INTERRUTTORE A FUNE ANTINTRUSIONE PER NASTRI TRASPORTATORI – **Modello SRS**

SRS

Belt conveyor safety cable pull switches are designed for providing a switching system to isolate the power to conveyor system and other equivalent process equipment in the emergency condition.

The cable pull switches are actuated by a plastic coated steel wire, which are placed along-side the conveyor. When you pull on the cable at any point, it will trip and automatically lock the switches, deenergizing the conveyor starter contactor.

Each switch is bi-directional in operation and has two cable fitted to it from opposite directions terminated with a spring at the anchor points, please see drawing 4 the springs will operate the switch on cable breakage.

After tripping the mechanical latch can be released only on the switch itself by the reset lever.

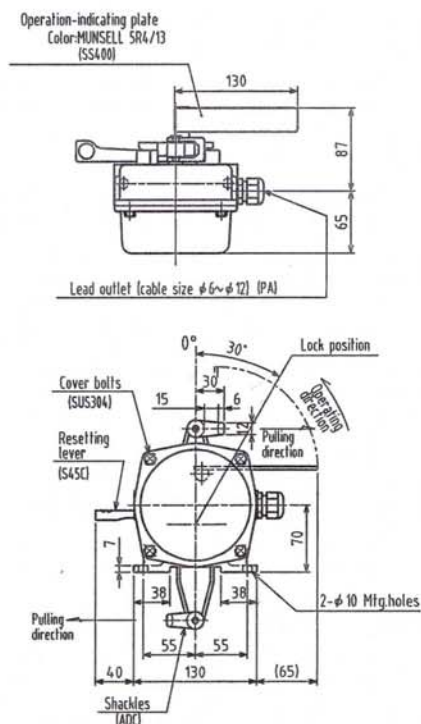
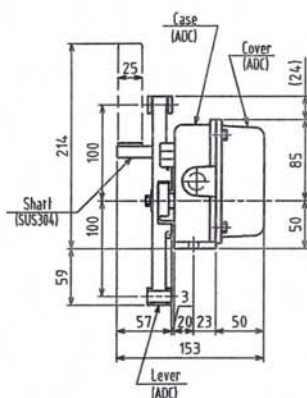
APPLICATIONS

emergency or normal stop for below facilities

- Conventional Belt Conveyors
- Shuttle Conveyors
- Bucket Elevators
- Packaging Lines
- Stockpile/Reclaim systems, Cranes, Shovels, Draglines
- Ship Loading / Unloading System
- Horizontal Feed Systems

DIMENSION

SRS



CHARACTERS

- Universal design for bi-direction activation
- Compact design for tight-fit areas, IP67 rugged die cast aluminum housing
- Manual reset lever
- Easily orientated at either end or intermediate position in pull cable run
- Cable Pull 30° for shutting down system
- Highly visible black arm easily shows condition of the switch, indicating alarm or normal

SPECIFICATION

Switching Capacity	10A, 125/250 Vac 1/2A 125 Vdc SPDTx2
Action Force	49 ± 9.8n (5 ± 1kgf.m)
Reset Way	Manual
Ambient Temp.	-20~60°C
Enclosure Protection Grade	IP67
Enclosure Material	Die cast ADC
Weight	Approx. 2.9kg

AGENTE DI ZONA RIVENDITORE AUTORIZZATO



MASAUTOMAZIONE

I - 20090 SEGRATE (MI) - Via G. Galilei, 20
Tel. 02 26922090 (6 linee r.a.) - Fax 02 2135420 - 02 26921687
E-mail: info@masautomazione.it - www.masautomazione.it
Masautomazione è una società certificata ISO9001:2000