

Resistive Linear Position Transducer



- Measuring range 100mm – 1250mm
- Long mechanical life 100.000.000 cycles
- Excellent repeatability
- Very low temperature drift
- Infinite resolution

Main Applications

Plastic/ Metal Injection Moulding Machineries, Textile Machineries, Transfer/ Hydraulic Machineries, Marble/ Stone Machineries and General Automation Applications

Specifications

Mechanical stroke	100mm to 1250mm
Linearity	± %0,05
Resolution	Infinite
Output	4-20 mA or 0-20 mA or 0-10 V
Resistance tolerance	± %20
Load resistance	Min. 100 Kohm
Repeatability	≤ %0.01
Mechanical life	100 * 10 ⁶ Cycles
Displacement speed	≤ 1,5 m/s
Permissible applied voltage	12-30 VDC
Electrical connections	4 Pole connector
Case dimensions	33mm x 33mm
Case material	Anodized aluminium
IP Degree	IP 40 - If mounted upside down IP 53
Working temperature	- 20 / + 80 °C
Mechanical fixing	Variable brackets

Dimensions

Model	LM	Mechanical stroke (MS)	Electrical measuring stroke (EMS)	Total length (L)
ELPH	100	102mm	100mm	333mm
ELPH	125	127 mm	125mm	358mm
ELPH	130	132mm	130mm	363mm
ELPH	150	152mm	150mm	383mm
ELPH	175	177mm	175mm	408mm
ELPH	200	202mm	200mm	433mm
ELPH	225	227mm	225mm	458mm
ELPH	250	252mm	250mm	483mm
ELPH	275	277mm	275mm	508mm
ELPH	300	302mm	300mm	533mm
ELPH	325	327mm	325mm	558mm
ELPH	350	352mm	350mm	583mm
ELPH	375	377mm	375mm	608mm
ELPH	400	402mm	400mm	633mm
ELPH	450	452mm	450mm	683mm
ELPH	500	502mm	500mm	733mm
ELPH	550	552mm	550mm	783mm
ELPH	600	602mm	600mm	833mm
ELPH	650	652mm	650mm	883mm
ELPH	700	702mm	700mm	933mm
ELPH	750	752mm	750mm	983mm
ELPH	800	802mm	800mm	1033mm
ELPH	850	852mm	850mm	1083mm
ELPH	900	902mm	900mm	1133mm
ELPH	1000	1002mm	1000mm	1233mm
ELPH	1250	1252mm	1250mm	1483mm

Ordering Procedure

ELPH

Model

500

Measurement Stroke

D

Linearity Class

D: 0,05 %

V10

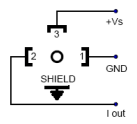
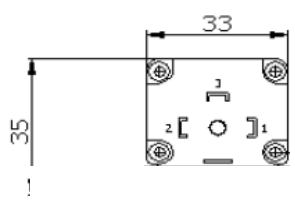
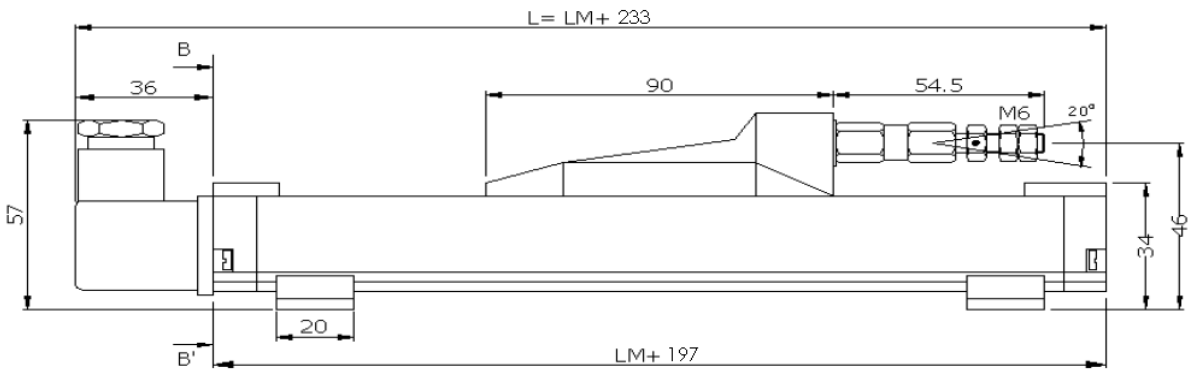
Output: Voltage or Current

V10: 10 V

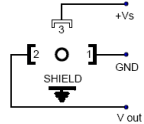
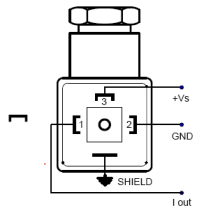
I4: 4-20mA

I20: 0-20mA

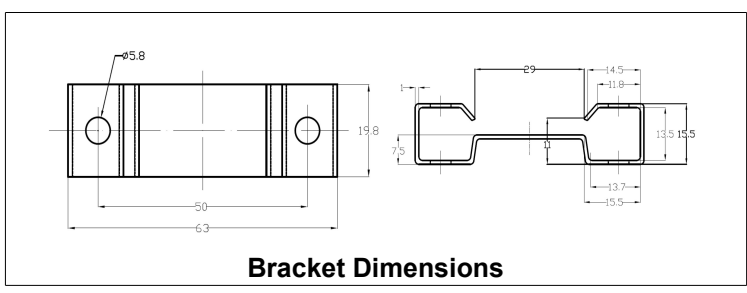
Resistive Linear Position Transducer



Current Output



Voltage Output



Bracket Dimensions